

DEPARTMENT:

GENERAL

PROJECT:

FB INTERNATIONAL
COUNTER

DRAWING TITLE:

INFORMATION
COUNTER
CT-51

SCALE: (PRINT ON 11" X 17")

1/20

DRAWN BY:

SL

CHECKED BY:

DRAWING NO.:

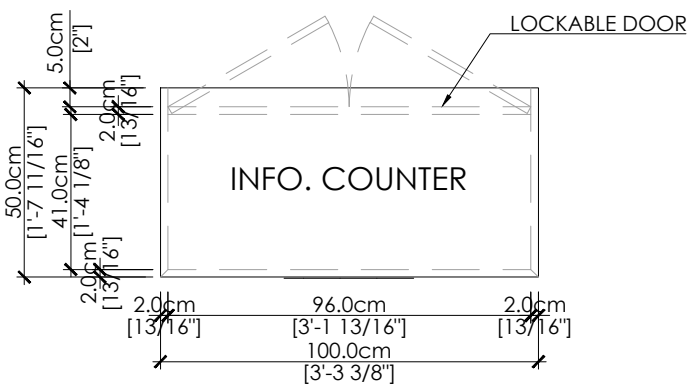
DRAWING DATE:

Oct 02, 2018 2:12 PM

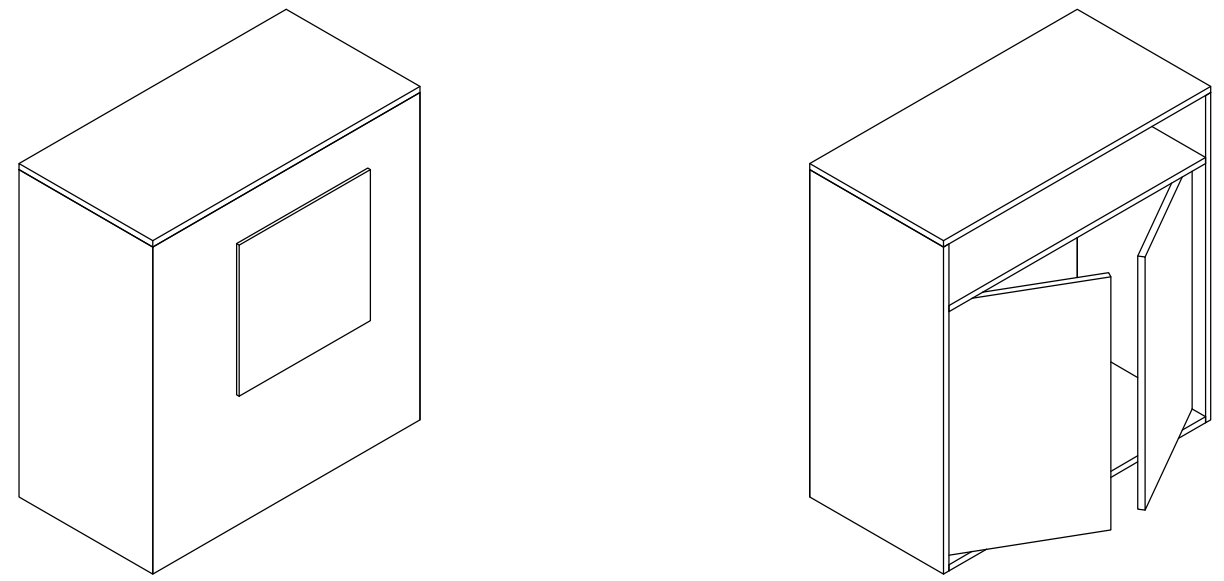
DATE REVISIONS:

NO.	DESCRIPTION	DATE

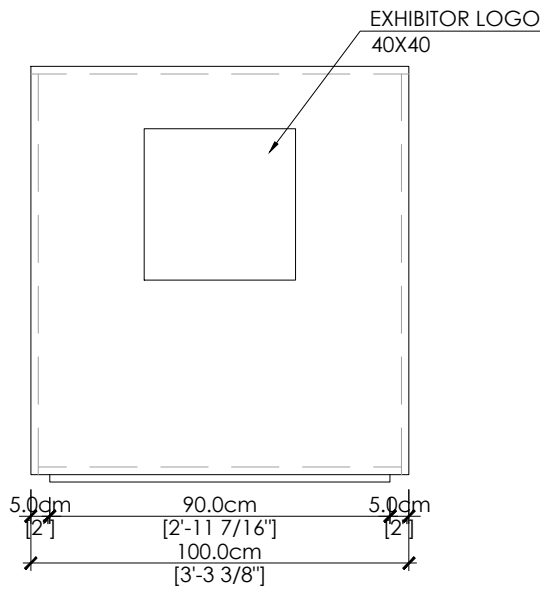
NOTE:



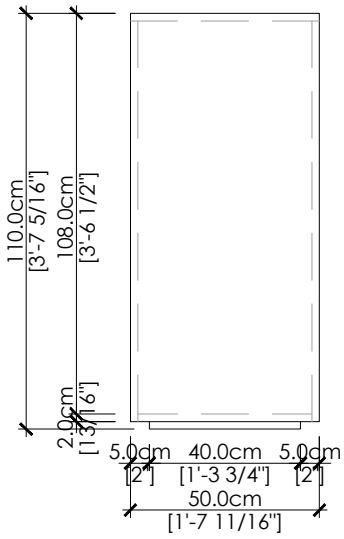
1 TOP VIEW SCALE 1/20



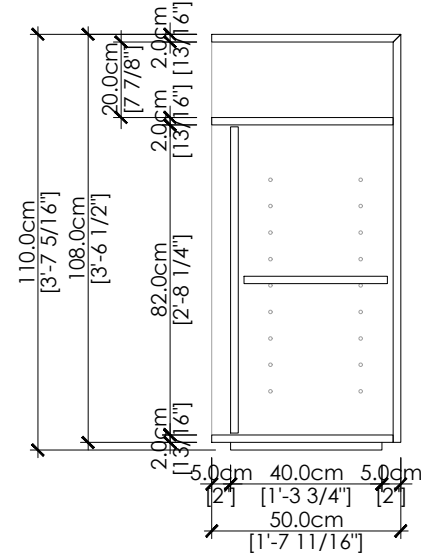
2 3D VIEWS SCALE 1/20



3 FRONT VIEW SCALE 1/20



4 SIDE VIEW SCALE 1/20



5 SECTION VIEW SCALE 1/20